

P

## ROOF HEADLINING > REMOVAL

for Preparation [Click here](#)

### CAUTION:

Some of these service operations affect the SRS airbag system. Read the precautionary notices concerning the SRS airbag system before servicing ([Click here](#)).

### 1. DISCONNECT CABLE FROM NEGATIVE BATTERY TERMINAL

### CAUTION:

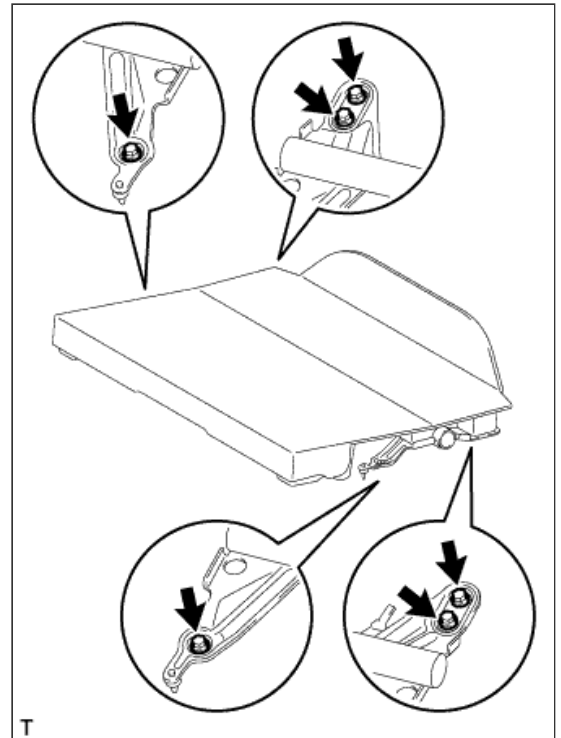
Wait at least 90 seconds after disconnecting the cable from the negative (-) battery terminal to disable the SRS system.

### 2. REMOVE REAR SEAT ASSEMBLY

([Click here](#))

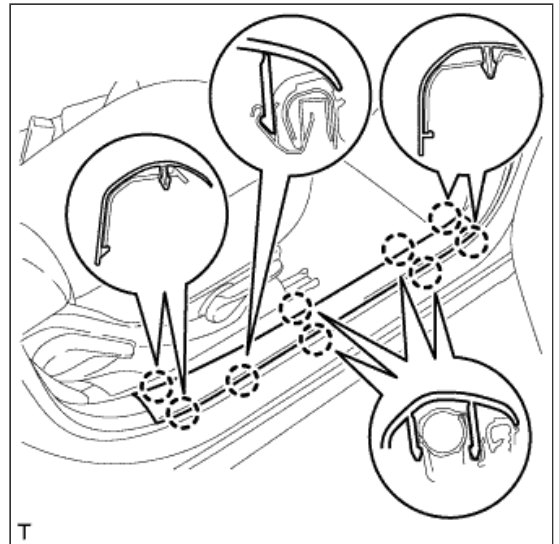
### 3. REMOVE REAR FLOOR BOARD SUB-ASSEMBLY (w/o Rear Seat)

- a. Remove the 6 bolts and rear floor board.



### 4. REMOVE FRONT DOOR SCUFF PLATE RH

- a. Disengage the 9 claws and remove the front door scuff plate.



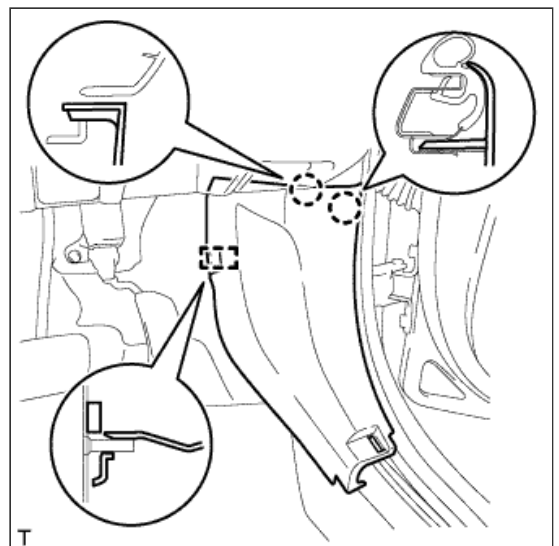
#### 5. REMOVE FRONT DOOR SCUFF PLATE LH

#### HINT:

Use the same procedure as for the RH side.

#### 6. REMOVE COWL SIDE TRIM BOARD RH

- a. Disengage the 2 claws and guide and remove the cowl side trim board.



#### 7. REMOVE COWL SIDE TRIM BOARD LH

#### HINT:

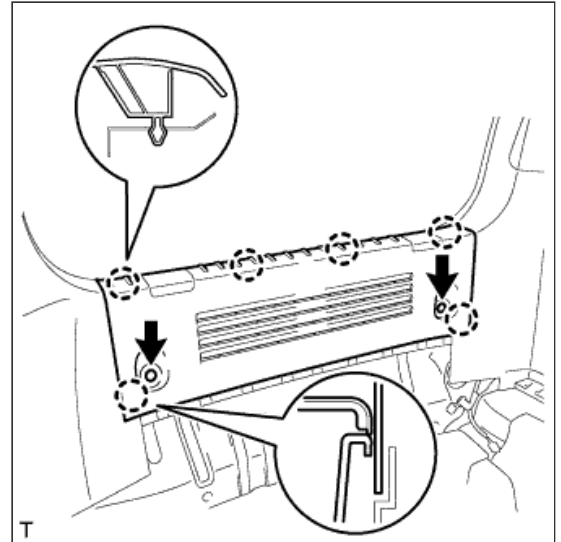
Use the same procedure as for the RH side.

## 8. REMOVE FRONT DOOR OPENING TRIM WEATHERSTRIP RH

## 9. REMOVE FRONT DOOR OPENING TRIM WEATHERSTRIP LH

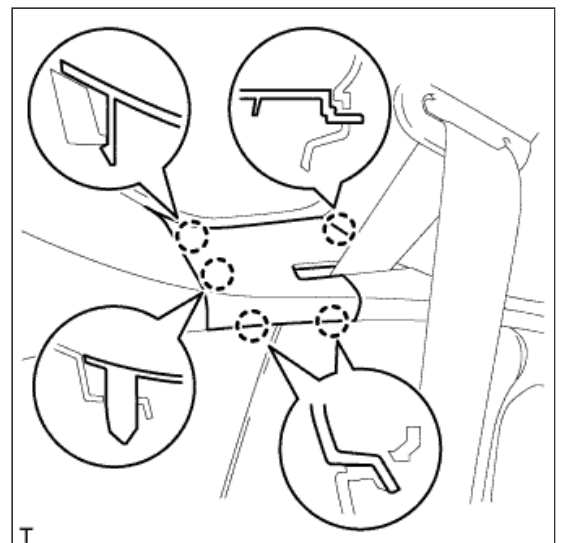
## 10. REMOVE REAR DECK TRIM COVER

- a. Remove the 2 clips.
- b. Disengage the 6 claws and remove the rear deck trim cover.



## 11. REMOVE DECK TRIM SIDE BELT HOLE COVER RH

- a. Disengage the 5 claws and remove the deck trim side belt hole cover.



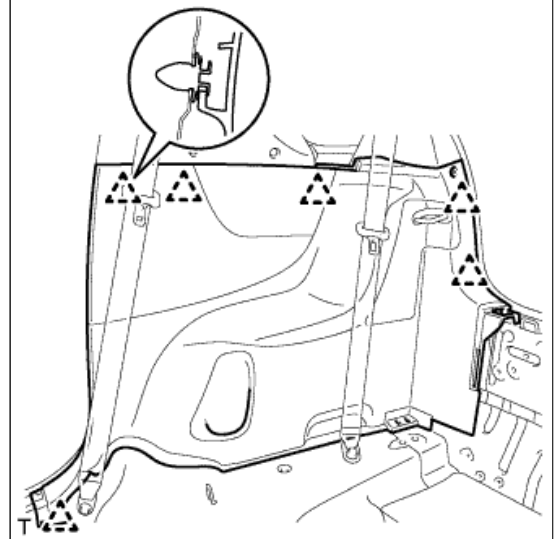
## 12. REMOVE DECK TRIM SIDE BELT HOLE COVER LH

### HINT:

Use the same procedure as for the RH side.

### 13. REMOVE SIDE NO. 1 TRIM ASSEMBLY RH

- a. Disengage the 6 clips and remove the side No. 1 trim.



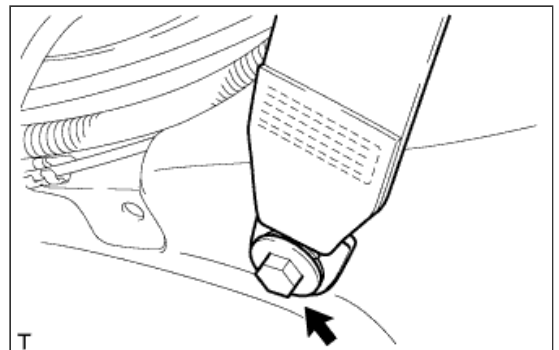
### 14. REMOVE SIDE NO. 1 TRIM ASSEMBLY LH

**HINT:**

Use the same procedure as for the RH side.

### 15. SEPARATE FRONT SEAT OUTER BELT ASSEMBLY RH

- a. Remove the bolt and the front seat outer belt.



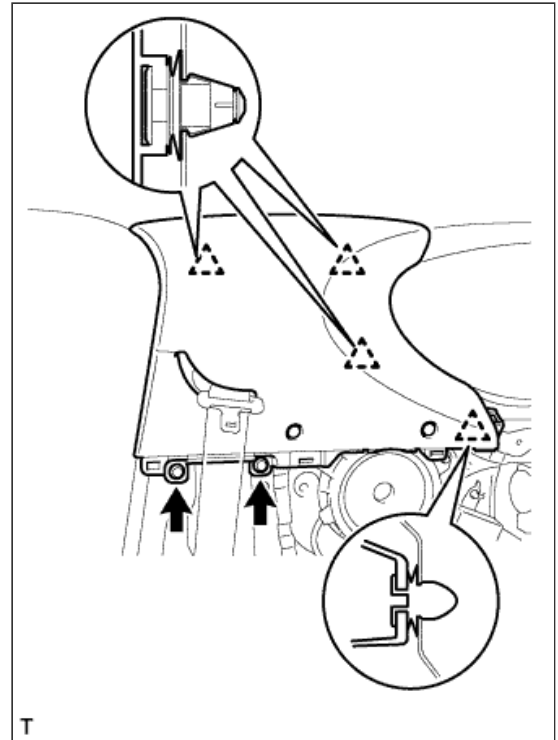
### 16. SEPARATE FRONT SEAT OUTER BELT ASSEMBLY LH

**HINT:**

Use the same procedure as for the RH side.

## 17. REMOVE CENTER PILLAR UPPER GARNISH RH

- a. Remove the 2 clips.
- b. Disengage the 4 clips and remove the center pillar upper garnish.
- c. Remove the 3 clip caps from the body side.



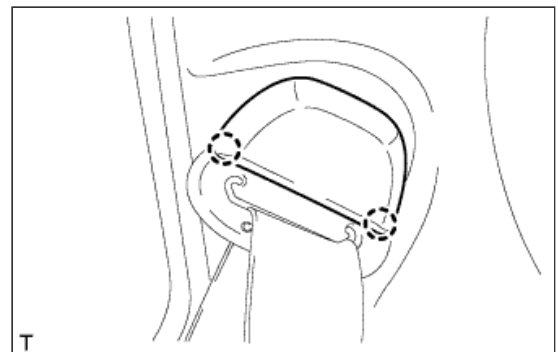
## 18. REMOVE CENTER PILLAR UPPER GARNISH LH

### HINT:

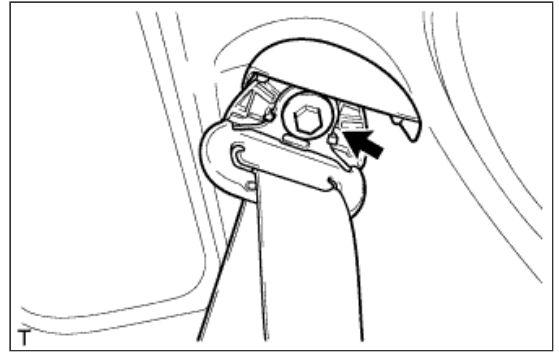
Use the same procedure as for the RH side.

## 19. SEPARATE REAR SEAT OUTER BELT ASSEMBLY RH

- a. Disengage the 2 claws and separate the rear seat belt anchor cover.



- b. Remove the bolt and separate the rear seat outer belt.



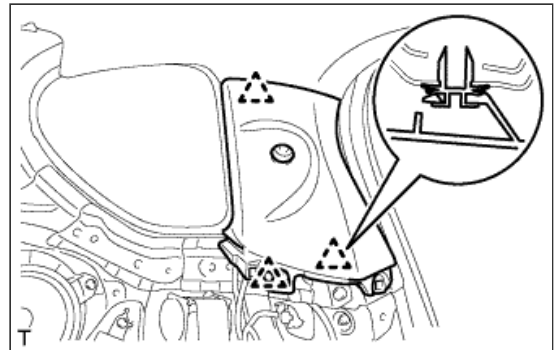
## 20. SEPARATE REAR SEAT OUTER BELT ASSEMBLY LH

### HINT:

Use the same procedure as for the RH side.

## 21. REMOVE ROOF SIDE INNER GARNISH RH

- a. Disengage the 3 clips and remove the roof side inner garnish.



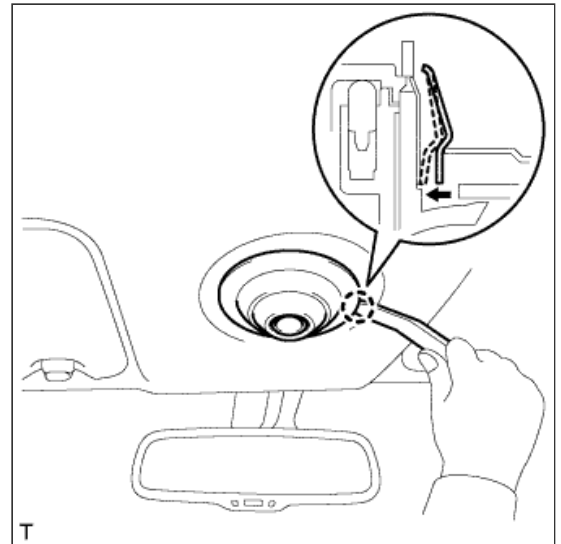
## 22. REMOVE ROOF SIDE INNER GARNISH LH

### HINT:

Use the same procedure as for the RH side.

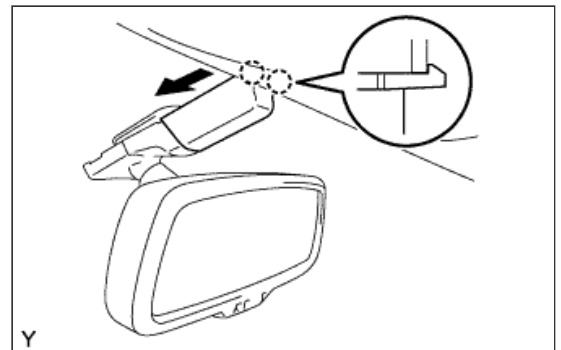
## 23. REMOVE PERSONAL LIGHT ASSEMBLY

- a. Using a roof moulding remover, disengage the claw.
- b. Disconnect the connector, and remove the personal light.

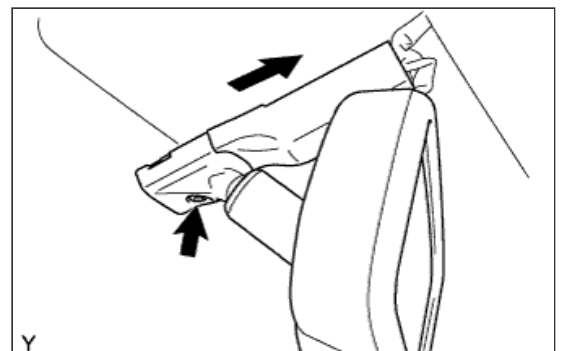


#### 24. REMOVE INNER REAR VIEW MIRROR ASSEMBLY (w/ EC Mirror)

- a.** Slide the inner rear view mirror stay holder cover B in the direction indicated by the arrow to disengage the 2 claws and remove the inner rear view mirror stay holder cover B.

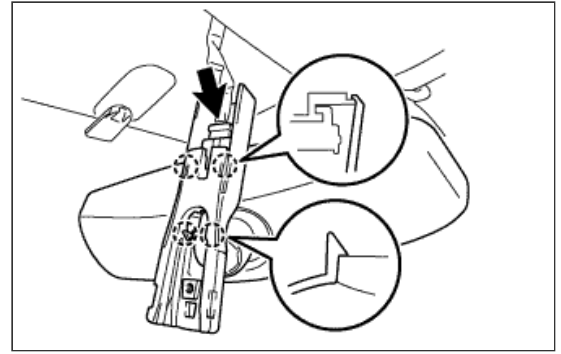


- b.** Using "TORX" socket wrench T20, remove the screw.
- c.** Slide the inner rear view mirror in the direction indicated by the arrow in the illustration to remove it.



- d.** Disengage the 4 claws and remove the inner rear view mirror stay holder cover A.
- e.** Disconnect the connector.





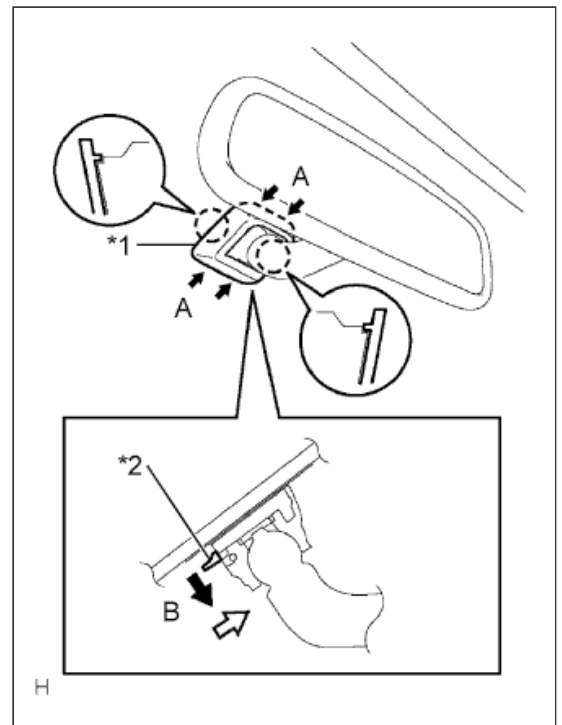
## 25. REMOVE INNER REAR VIEW MIRROR ASSEMBLY (w/o EC Mirror)

- a. Push the cover in the directions indicated by the arrows labeled A and remove it.

### Text in Illustration

*1	Cover
*2	Claw

- b. While holding down the claw in the direction of the black arrow labeled B, slide the mirror in the direction of the white arrow and remove it.



## 26. REMOVE RAIN SENSOR

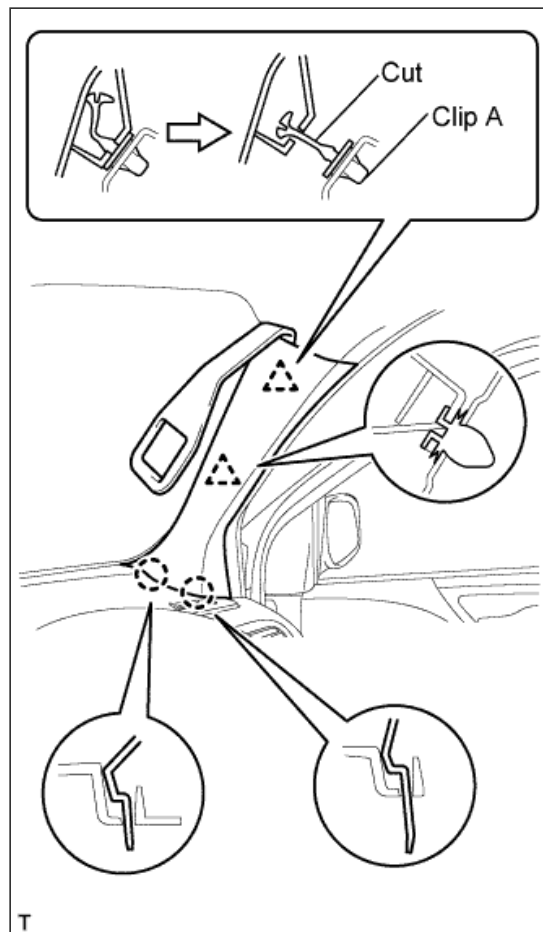
([Click here](#))

## 27. REMOVE FRONT PILLAR GARNISH RH (w/ Curtain Shield Airbag)

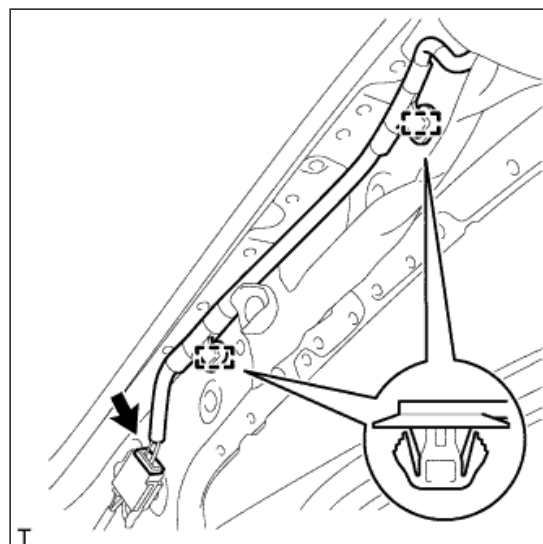
### NOTICE:

- Install a protective cover onto the curtain shield airbag as soon as the front pillar garnish is removed.
- Replace the front pillar garnish clip with a new one when the front pillar garnish is removed.

- a. Pull the upper part of the garnish toward the inside of the cabin and disengage the 2 clips.
- b. Cut off clip A.
- c. Disengage the 2 claws and the clip and remove the front pillar garnish RH.
- d. Remove clip A from the vehicle body.



- e. Disconnect the connector.
- f. Disengage the 2 clamps.



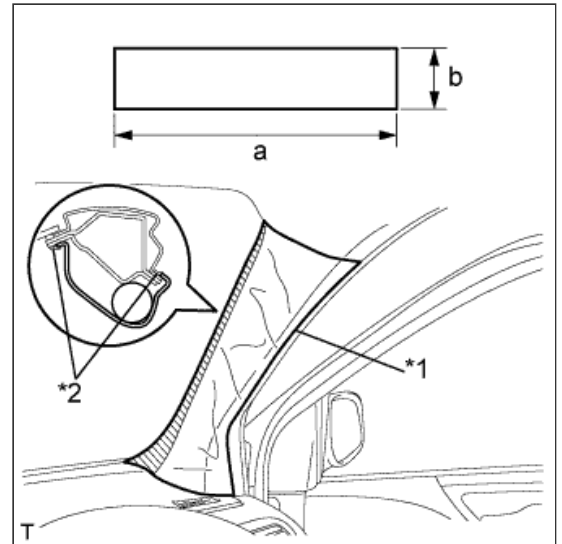
- g. Completely cover the curtain shield airbag with a piece of cloth or nylon and fix the ends of the protective cover with adhesive tape, as shown in the illustration.

#### Text in Illustration

*1	Protective Cover
*2	Adhesive Tape

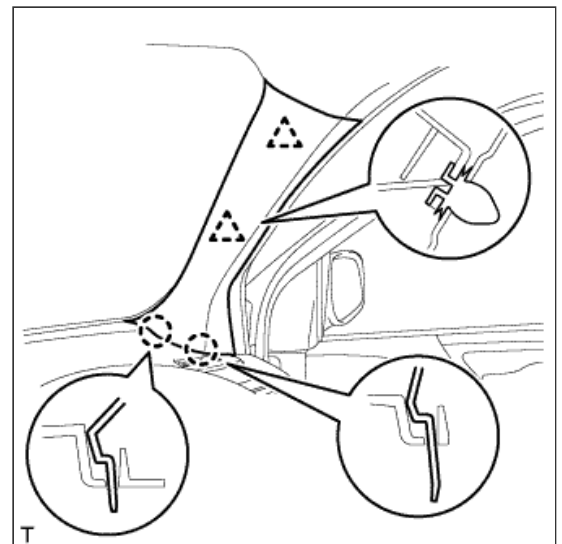
#### Protective Cover Size:

Area	Dimension
a	700 mm (27.56 in.)
b	120 mm (4.72 in.)

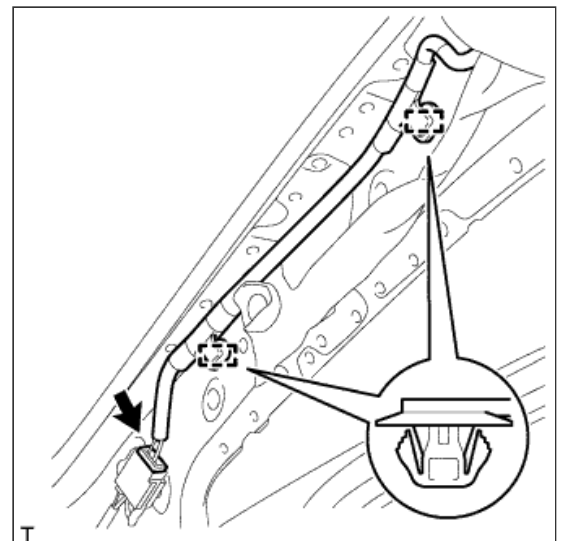


## 28. REMOVE FRONT PILLAR GARNISH RH (w/o Curtain Shield Airbag)

- a.** Disengage the 2 clips and the 2 claws and remove the front pillar garnish.



- b.** Disconnect the connector.  
**c.** Disengage the 2 clamps.



## 29. REMOVE FRONT PILLAR GARNISH LH

### HINT:

Use the same procedure as for the RH side.

## 30. REMOVE ASSIST GRIP

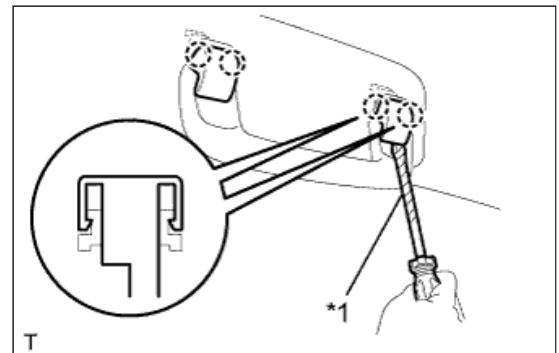
### Text in Illustration

*1	Protective Tape
----	-----------------

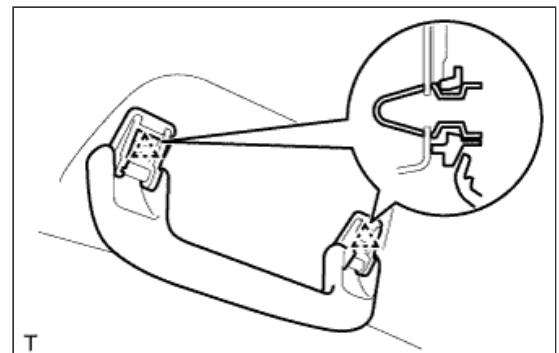
### HINT:

Use the same procedure to remove all assist grips.

- a. Using a screwdriver with its tip wrapped in protective tape, disengage the 4 claws and remove the 2 assist grip covers.



- b. Disengage the 2 clips and remove the assist grip.

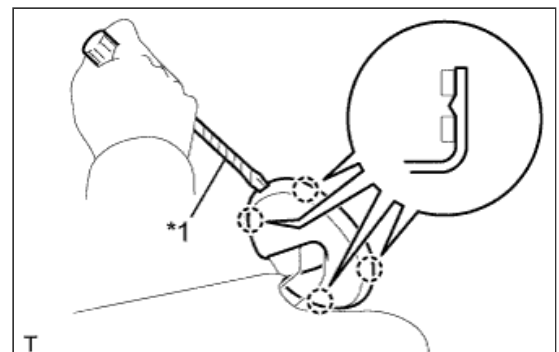


## 31. REMOVE VISOR ASSEMBLY RH

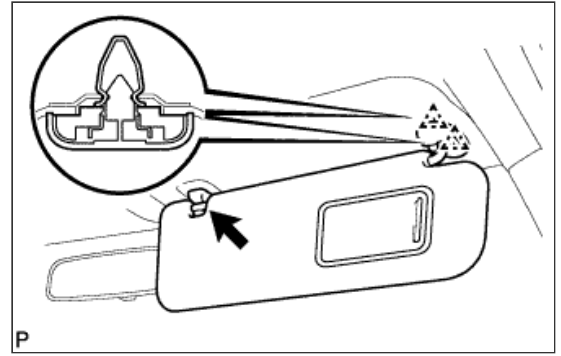
### Text in Illustration

*1	Protective Tape
----	-----------------

- a. Using a screwdriver, with its tip wrapped in protective tape, disengage the 4 claws and remove the visor cover.



- b.** Remove the visor shaft from the visor holder.
- c.** Disengage the 2 clips and remove the visor.



### 32. REMOVE VISOR ASSEMBLY LH

#### HINT:

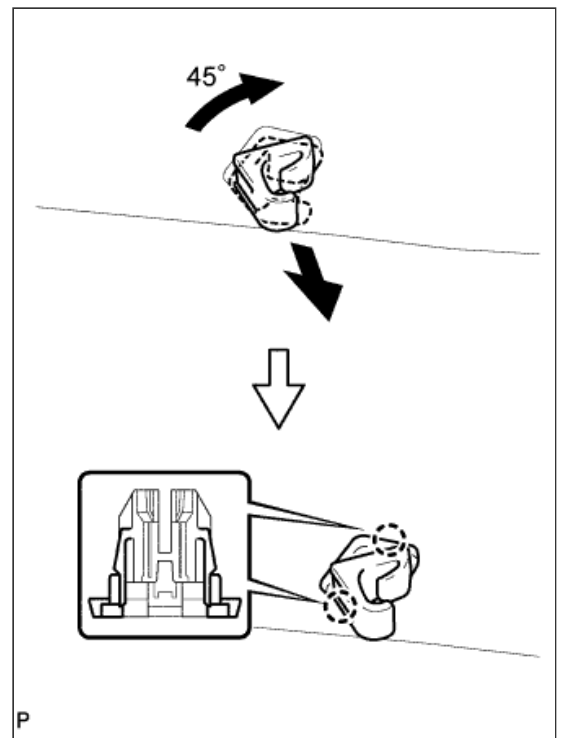
Use the same procedure as for the RH side.

### 33. REMOVE VISOR HOLDER

#### HINT:

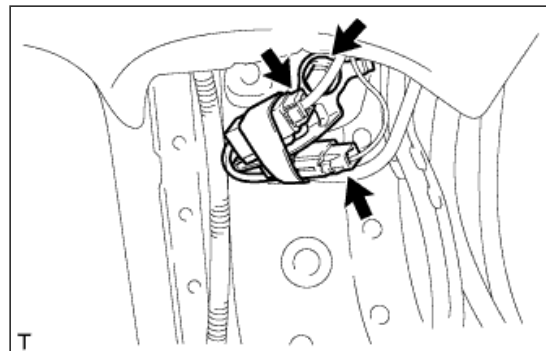
Use the same procedure as for the RH side.

- a.** Turn the visor holder approximately 45° and pull it out as shown in the illustration.
- b.** Disengage the 2 claws and remove the visor holder.



### 34. REMOVE ROOF HEADLINING

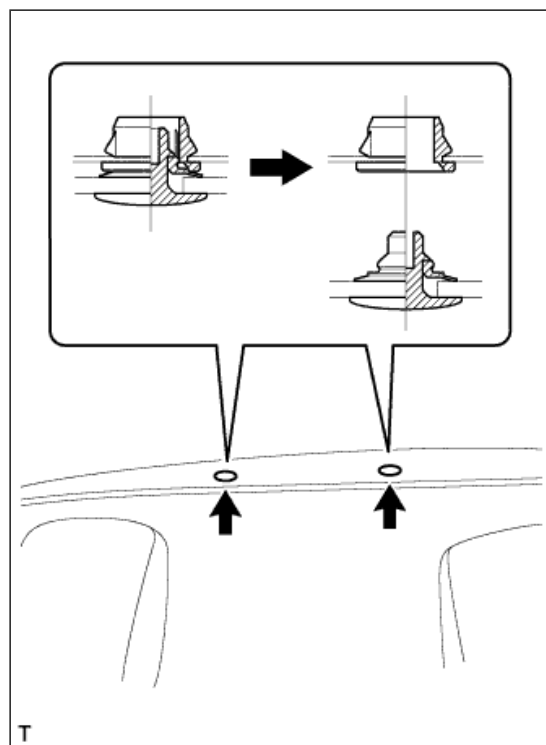
- a.** Disconnect the 2 connectors.
- b.** Remove the bolt and bracket.



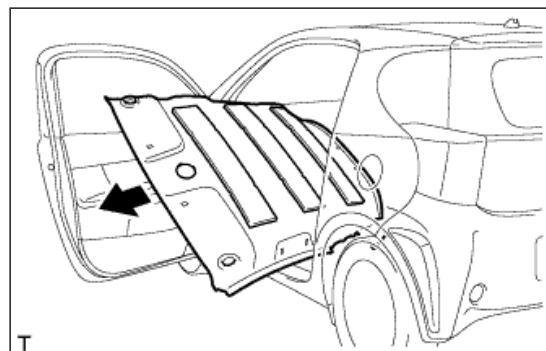
c. Remove the 2 clips.

**NOTICE:**

- Pull the center of the clip straight down, and do not pull it all the way through the hole.
- The clips will be damaged if twisted with a moulding remover.

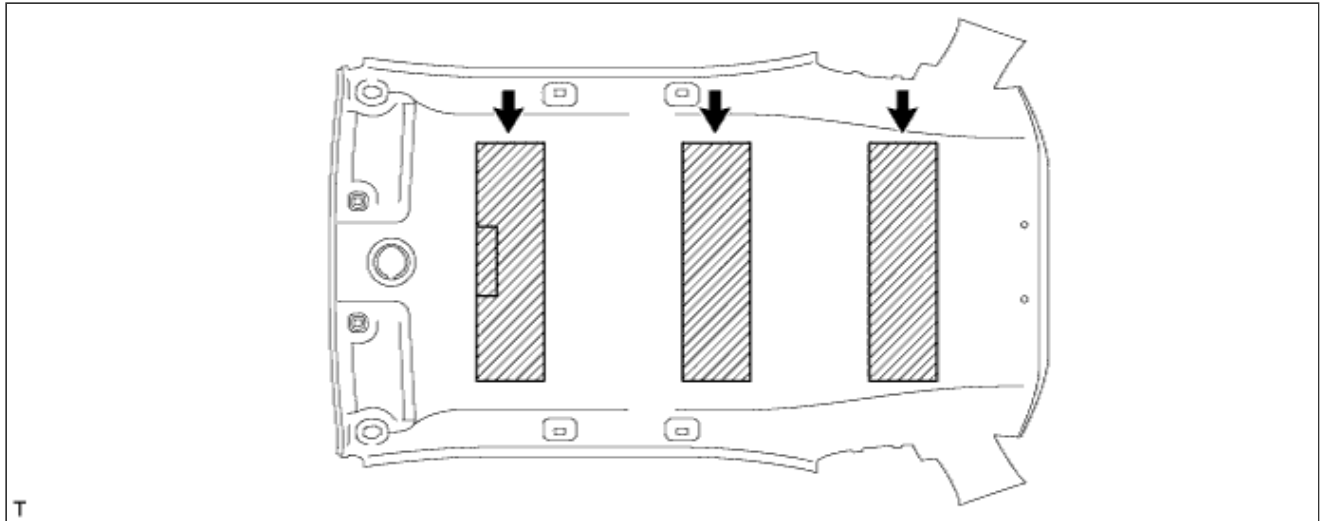


d. Remove the roof headlining from the front door.



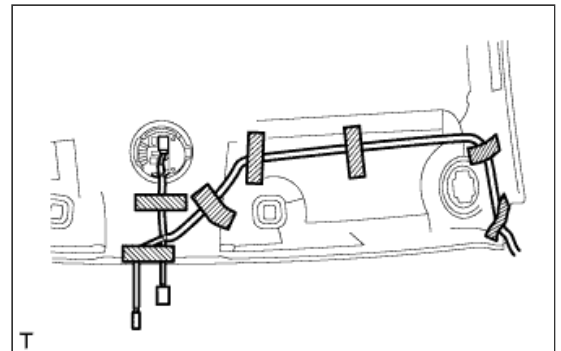
### 35. REMOVE NO. 1 ROOF SILENCER PAD

a. Remove the 3 No. 1 roof silencer pads.



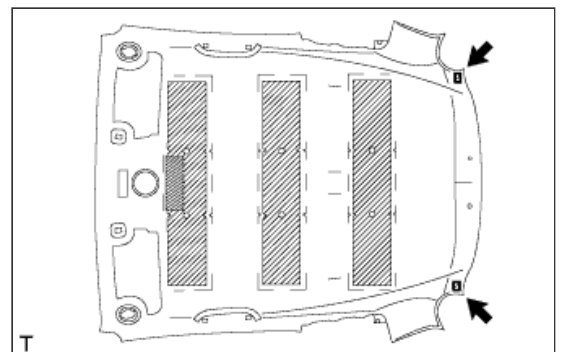
### 36. REMOVE ROOF WIRE

- a. Remove the 7 pieces of tape.
- b. Remove the roof wire from the roof headlining.

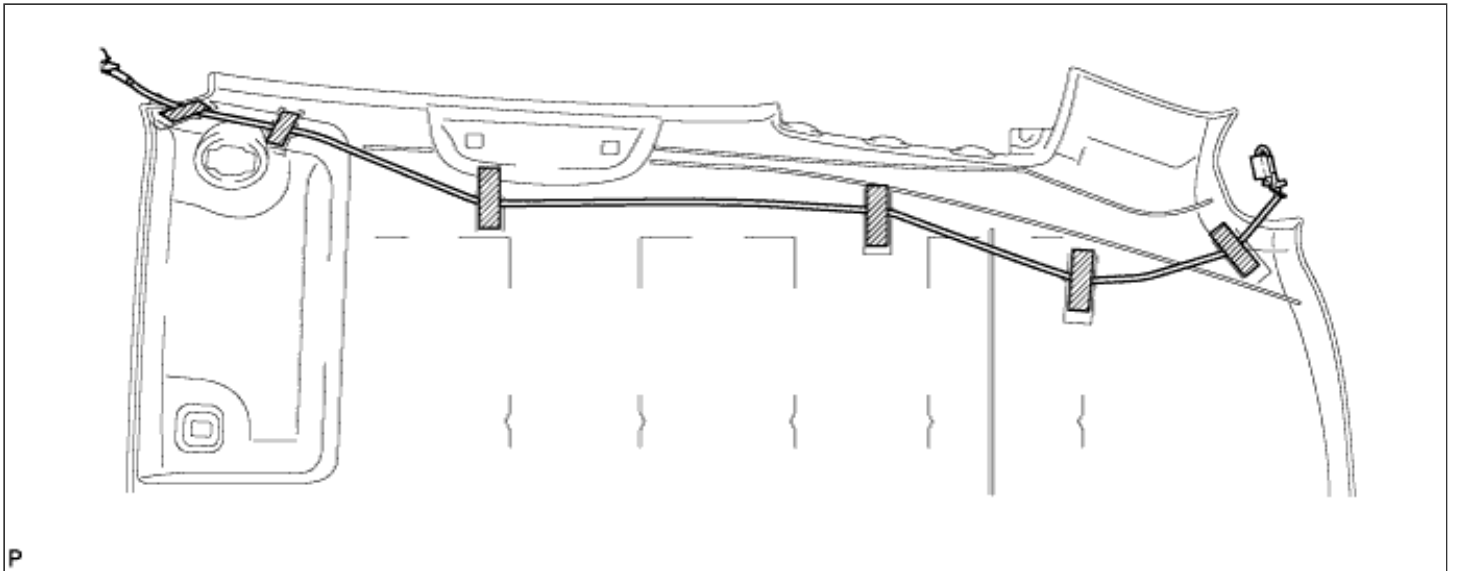


### 37. REMOVE ROOF HEADLINING PAD

- a. Remove the 2 roof headlining pads.



### 38. REMOVE ANTENNA CORD SUB-ASSEMBLY



- a.** Remove the 6 pieces of tape.
- b.** Remove the antenna cord from the roof headlining.





## POWER OUTLET SOCKET > INSTALLATION





1. INSTALL POWER OUTLET SOCKET COVER
2. INSTALL POWER OUTLET SOCKET
3. INSTALL LOWER CENTER INSTRUMENT CLUSTER FINISH PANEL SUB-ASSEMBLY (for Manual Air Conditioning System)
4. INSTALL CENTER LOWER INSTRUMENT CLUSTER FINISH PANEL (for Manual Air Conditioning System)
5. INSTALL LOWER CENTER INSTRUMENT CLUSTER FINISH PANEL SUB-ASSEMBLY (for Automatic Air Conditioning System)
6. INSTALL INSTRUMENT CLUSTER FINISH PANEL ASSEMBLY (for Automatic Air Conditioning System)
7. INSTALL FRONT CONSOLE BOX COVER
8. INSTALL REAR CONSOLE BOX ASSEMBLY

## ROOF HEADLINING &gt; REMOVAL &gt; Preparation

**EQUIPMENT**

Protective cover	
Protective tape	
Tape	
Double-side tape	
Torque wrench	

**RECOMMENDED TOOLS**

	09061-1C100	Clip Remover 6mm	
	09061-1C110	Clip Remover 10mm	
	09061-1C300	Set, Moulding Remover	
	(09061-1C330)	Remover C, Moulding	