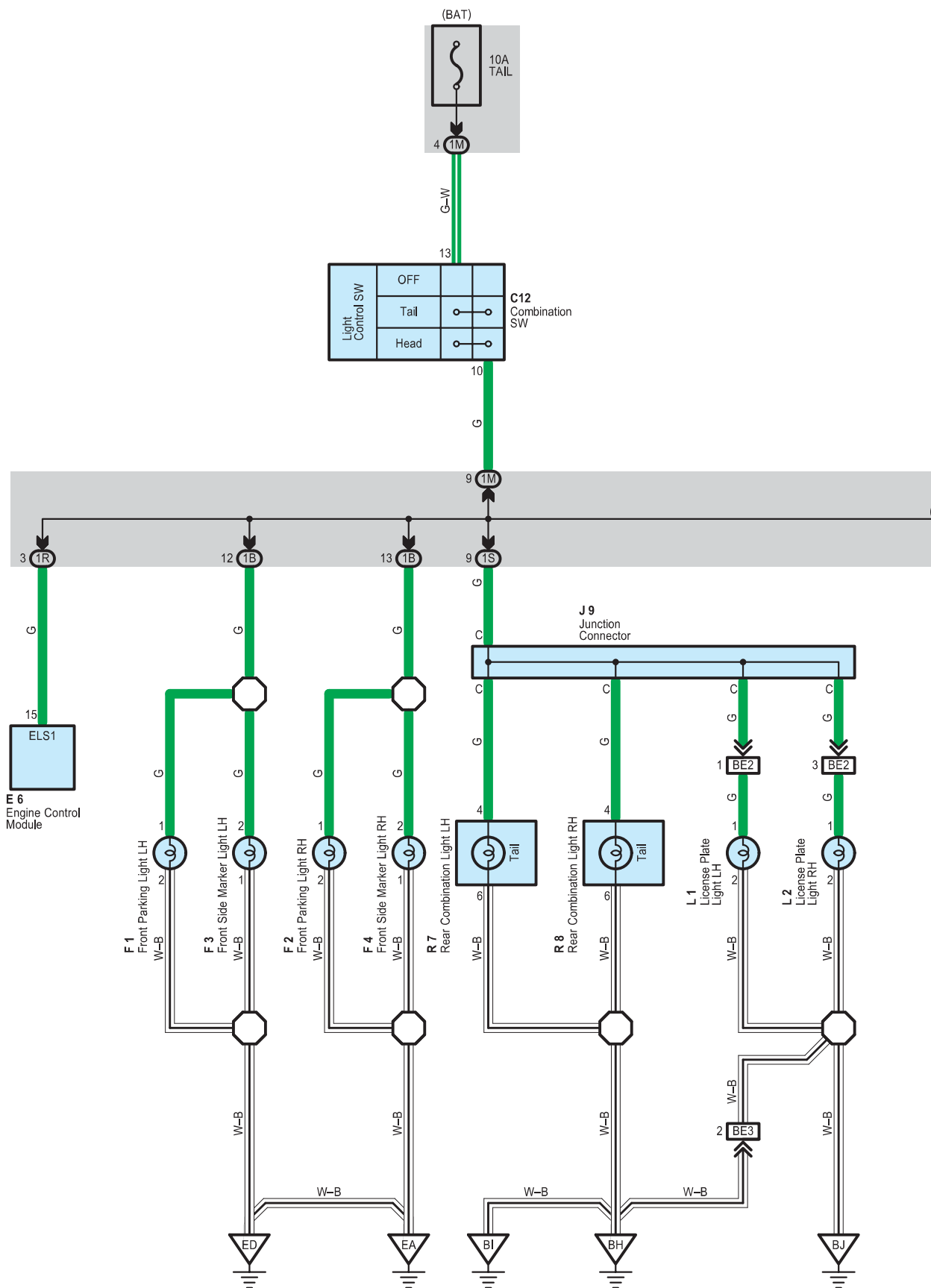
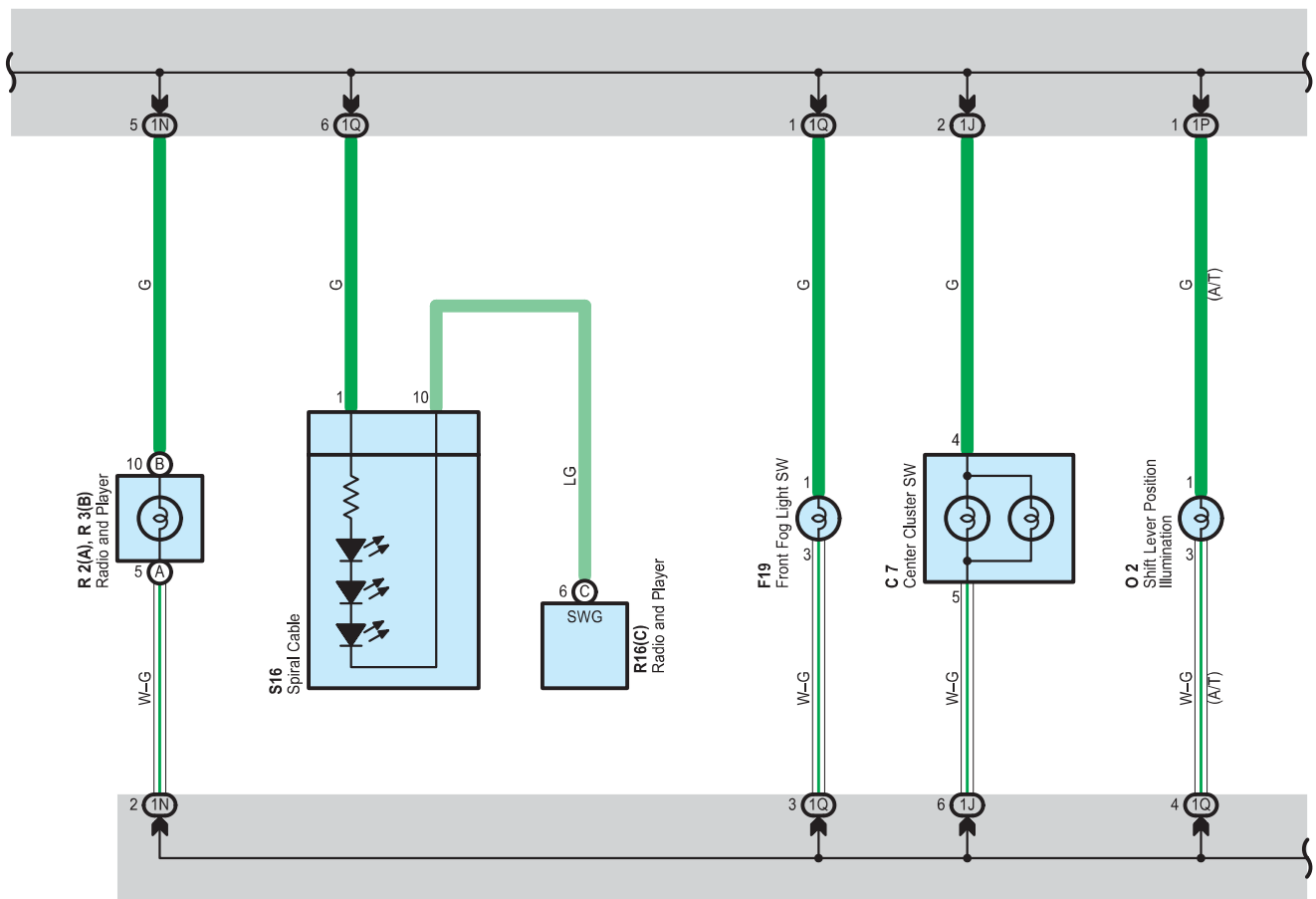
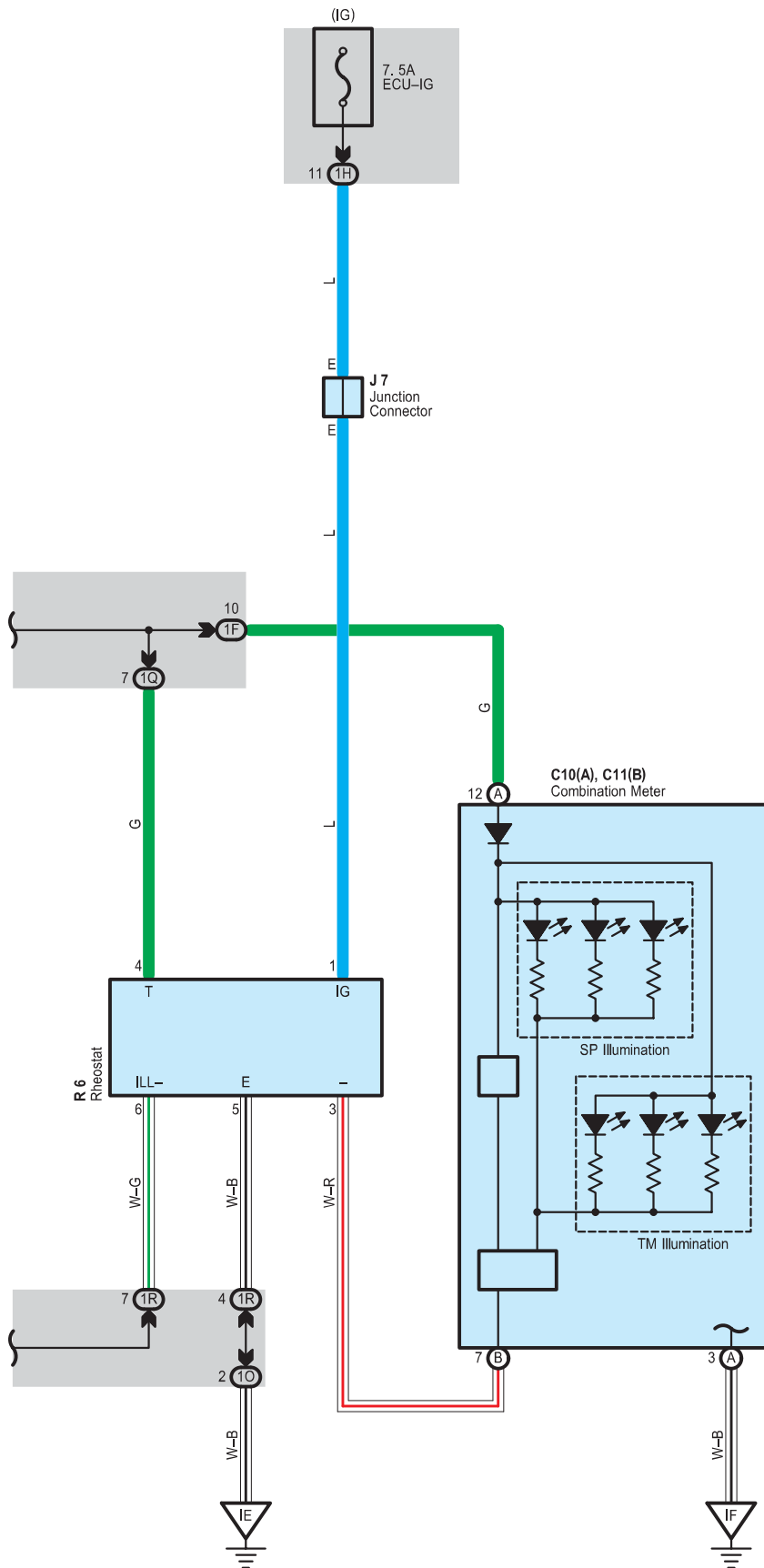


Taillight and Illumination





Taillight and Illumination



 : **Parts Location**

Code	See Page	Code	See Page	Code	See Page
C7	30	F4	28	R3 B	31
C10 A	30	F19	30	R6	31
C11 B	30	J7	31	R7	33
C12	30	J9	32	R8	33
E6	30	L1	32	R16 C	31
F1	28	L2	32	S16	31
F2	28	O2	31		
F3	28	R2 A	31		

 : **Junction Block and Wire Harness Connector**

Code	See Page	Junction Block and Wire Harness (Connector Location)
1B	24	Engine Room Main Wire and Instrument Panel J/B (Lower Finish Panel)
1F	25	Instrument Panel Wire and Instrument Panel J/B (Lower Finish Panel)
1H		
1J		
1M		
1N		
1O		
1P		
1Q		
1R		
1S	24	Floor Wire and Instrument Panel J/B (Lower Finish Panel)

 : **Connector Joining Wire Harness and Wire Harness**

Code	See Page	Joining Wire Harness and Wire Harness (Connector Location)
BE2	38	Back Door No.1 Wire and Floor Wire (Quarter Panel LH)
BE3		

 : **Ground Points**

Code	See Page	Ground Points Location
EA	34	Front Fender Apron RH
ED	34	Front Fender Apron LH
IE	36	Left Kick Panel
IF	36	Instrument Panel Brace LH
BH	38	Left Quarter Pillar
BI	38	Right Quarter Pillar
BJ	38	Back Door Panel LH