

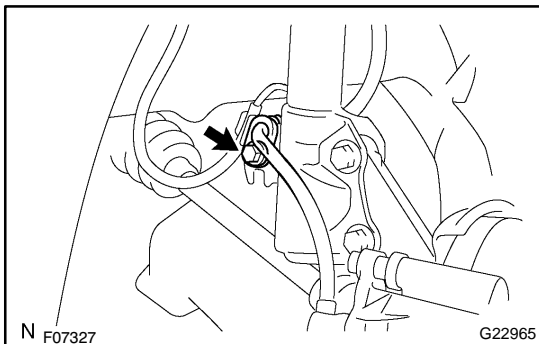
# FRONT SHOCK ABSORBER WITH COIL SPRING OVERHAUL

260F5-01

HINT:

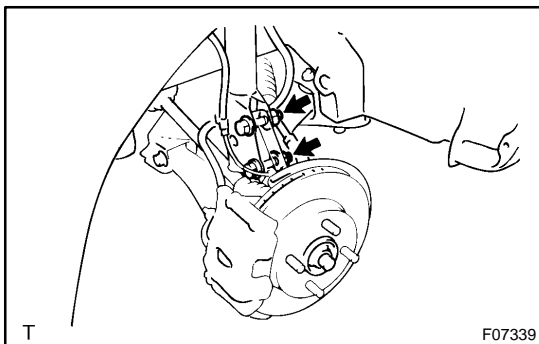
COMPONENTS: See page 26-2

1. REMOVE WINDSHIELD WIPER ARM COVER (See page 66-6)
2. REMOVE FR WIPER ARM LH (See page 66-6)
3. REMOVE FR WIPER ARM RH (See page 66-6)
4. REMOVE HOOD TO COWL TOP SEAL (See page 66-6)
5. REMOVE COWL TOP VENTILATOR LOUVER LH (See page 66-6)
6. REMOVE COWL TOP VENTILATOR LOUVER RH (See page 66-6)
7. REMOVE WINDSHIELD WIPER LINK ASSY (See page 66-6)
8. REMOVE COWL TOP PANEL OUTER
  - (a) Disconnect the hose and the wire harness (Wiper).
  - (b) Remove the cowl top panel outer with the 8 bolts.
9. REMOVE FRONT WHEEL



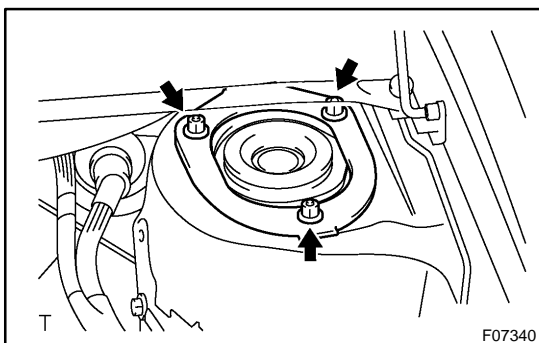
## 10. DISCONNECT FLEXIBLE HOSE

- (a) Remove the bolt and disconnect the flexible hose and the speed sensor wire harness clamp from the shock absorber bracket.

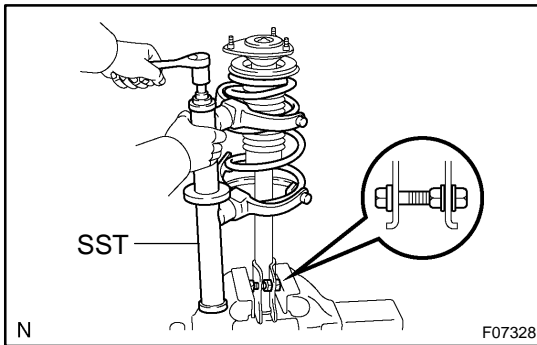


## 11. REMOVE FRONT SHOCK ABSORBER WITH COIL SPRING

- (a) Remove the 2 nuts and the bolts, and disconnect the shock absorber from the steering knuckle.



- (b) Remove the shock absorber with coil spring with the 3 nuts.
- (c) Remove suspension support No.2.

**12. FIX FRONT SHOCK ABSORBER WITH COIL SPRING**

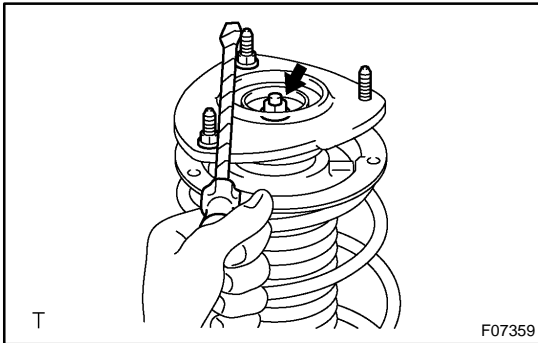
- (a) Install the 2 nuts and bolt on the bracket at the lower side of the shock absorber and secure it in a vise.
- (b) Using SST, compress the coil spring.  
SST 09727-30021 (09727-00010, 09727-00021, 09727-00031)

**NOTICE:**

Do not use an impact wrench. It will damage the SST.

**13. REMOVE FRONT SUSPENSION SUPPORT DUST COVER LH**

- (a) Remove the dust cover from the suspension support.

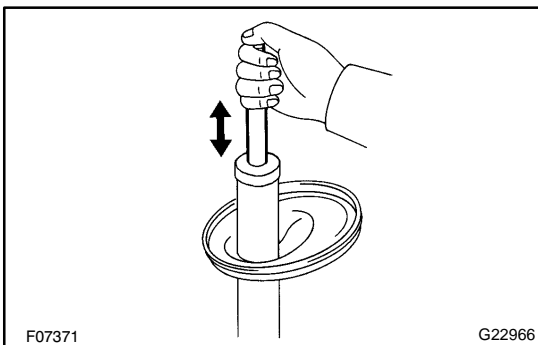
**14. REMOVE FRONT SUPPORT TO FRONT SHOCK ABSORBER LH NUT**

- (a) Using the 2 nuts and a screwdriver or an equivalent to secure the front shock absorber hold, remove the center nut.

**NOTICE:**

Be careful not to damage the suspension support stud bolts.

15. REMOVE FRONT SUSPENSION SUPPORT SUB-ASSY LH
16. REMOVE FRONT SUSPENSION SUPPORT LH DUST SEAL
17. REMOVE FRONT COIL SPRING SEAT UPPER LH
18. REMOVE FRONT COIL SPRING INSULATOR UPPER LH
19. REMOVE FRONT COIL SPRING LH
20. REMOVE FRONT SPRING BUMPER LH
21. REMOVE SHOCK ABSORBER ASSY FRONT LH

**22. INSPECT SHOCK ABSORBER ASSY FRONT LH**

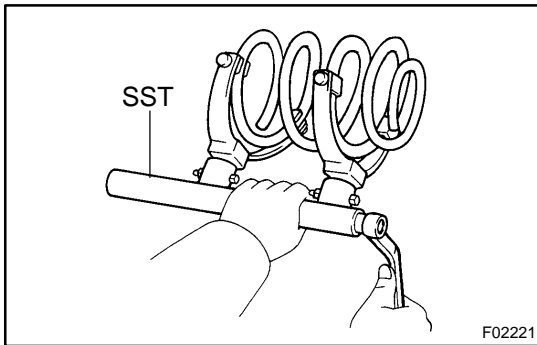
- (a) Compress and extend the shock absorber rod and check that there is no abnormal resistance or unusual sound during operation.

If there is any abnormality, replace the shock absorber with a new one.

**NOTICE:**

When disposing of the shock absorber, see **DISPOSAL** on page 26-14.

**23. INSTALL SHOCK ABSORBER ASSY FRONT LH****24. INSTALL FRONT SPRING BUMPER LH**

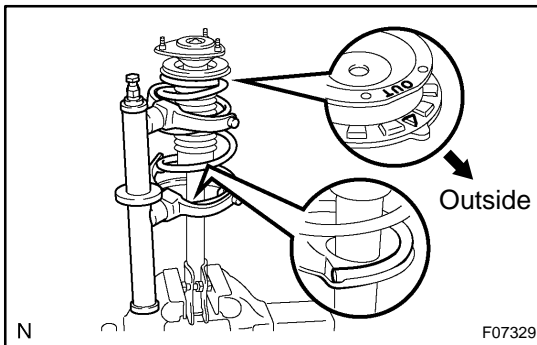
**25. INSTALL FRONT COIL SPRING LH**

- (a) Using SST, compress the coil spring.

SST 09727-30021 (09727-00010, 09727-00021, 09727-00031)

**NOTICE:**

**Do not use an impact wrench. It will damage the SST.**



- (b) Install the coil spring on the shock absorber.

**HINT:**

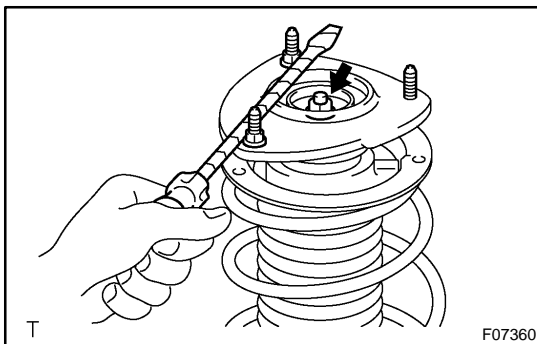
Fit the lower end of the coil spring into the gap of the spring lower seat.

**26. INSTALL FRONT COIL SPRING INSULATOR UPPER LH**

- (a) Install the upper insulator with the "U" mark facing the outside of the vehicle.

**27. INSTALL FRONT COIL SPRING SEAT UPPER LH**

- (a) Install the spring upper seat with the "OUT" mark facing the outside of the vehicle.

**28. INSTALL FRONT SUSPENSION SUPPORT LH DUST SEAL****29. INSTALL FRONT SUSPENSION SUPPORT SUB-ASSY LH****30. INSTALL FRONT SUPPORT TO FRONT SHOCK ABSORBER LH NUT**

- (a) Using the 2 nuts and a screwdriver or an equivalent to secure the front shock absorber, install a new center nut.

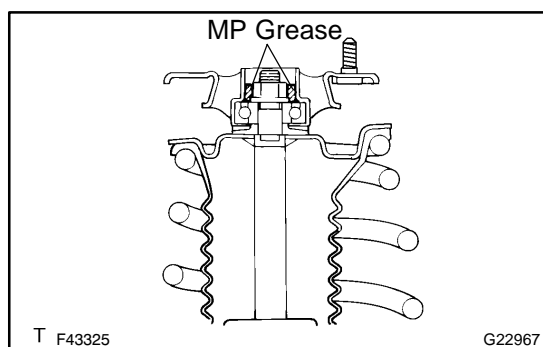
**Torque: 33 N·m (340 kgf·cm, 25 ft·lbf)**

**NOTICE:**

**Be careful not to damage the suspension support stud bolts.**

- (b) Remove the SST.

SST 09727-30021 (09727-00010, 09727-00021, 09727-00031)



(c) Apply MP grease to the suspension support.

**31. INSTALL FRONT SUSPENSION SUPPORT DUST COVER LH**

**32. INSTALL FRONT SHOCK ABSORBER WITH COIL SPRING**

- (a) Install suspension support No.2.
- (b) Install the shock absorber with coil spring with the 3 nuts.  
**Torque: 39 N·m (400 kgf·cm, 29 ft·lbf)**
- (c) Connect the shock absorber to the steering knuckle.
- (d) Install the 2 bolts and the nut.

**NOTICE:**

**When installing the bolt keep it from rotating and torque the nut.**

**Torque: 132 N·m (1,350 kgf·cm, 97 ft·lbf)**

**33. INSTALL FLEXIBLE HOSE**

- (a) Install the flexible hose.  
**Torque: 29 N·m (300 kgf·cm, 22 ft·lbf)**

**34. INSTALL FRONT WHEEL**

**Torque: 103 N·m (1,050 kgf·cm, 76 ft·lbf)**

**35. INSTALL COWL TOP PANEL OUTER**

- (a) Install the cowl top panel outer with the 8 bolts.  
**Torque: 5.0 N·m (51 kgf·cm, 44 in·lbf)**

(b) Connect the hose and the wire harness (Wiper).

**36. INSTALL WINDSHIELD WIPER LINK ASSY (See page 66-6)**

**37. INSTALL COWL TOP VENTILATOR LOUVER RH**

**38. INSTALL COWL TOP VENTILATOR LOUVER LH**

**39. INSTALL HOOD TO COWL TOP SEAL**

**40. INSTALL FR WIPER ARM LH (See page 66-6)**

**41. INSTALL FR WIPER ARM RH (See page 66-6)**

**42. INSPECT AND ADJUST FRONT WHEEL ALIGNMENT (See page 26-7)**