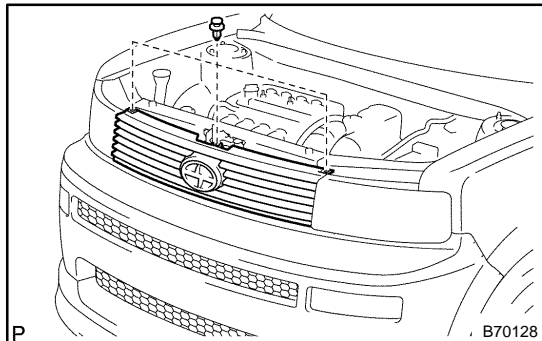


REPLACEMENT

HINT:

The installation procedures are the removal procedures in reverse order. However, only installation procedures requiring additional information are included.



1. REMOVE RADIATOR GRILLE

- (a) Remove the 3 clips and radiator grille.

2. REMOVE FRONT FENDER LINER LH

- (a) Remove the 2 screws.
- (b) Partially remove the fender liner.

HINT:

Do not remove the fender liner completely but partially so that the bumper cover can be removed.

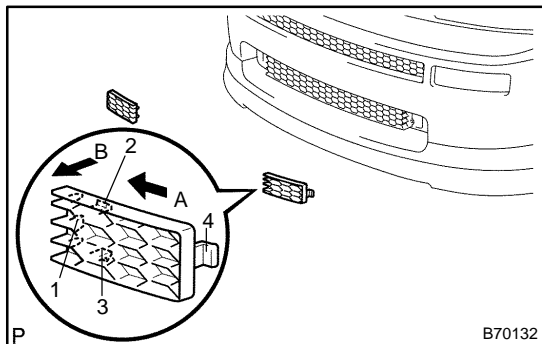
3. REMOVE FRONT FENDER LINER RH

HINT:

Use the same procedures for the RH side and LH side.

4. REMOVE RADIATOR GRILLE LOWER

- (a) Using a screwdriver, disengage the 9 claws and remove the grille lower.



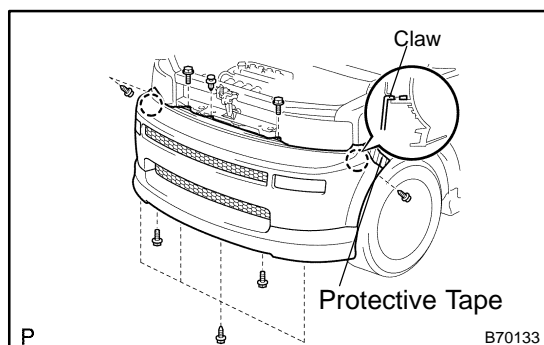
5. REMOVE FRONT BUMPER EXTENSION MOUNTING BRACKET LH

- (a) Pulling the mounting bracket in the direction indicated by arrow B in the illustration to disengage claws 1, 2 and 3 indicated in the illustration.
- (b) Pull the mounting bracket in the direction indicated by arrow A in the illustration to disengage claw 4 indicated in the illustration, then remove the mounting bracket.

6. REMOVE FRONT BUMPER EXTENSION MOUNTING BRACKET RH

HINT:

Use the same procedures for the RH side and LH side.



7. REMOVE FRONT BUMPER COVER

- (a) Put protective tape under the front fender.
- (b) Remove the clip and 2 bolts from the upper side of the bumper cover.
- (c) Using a screwdriver, disengage the 2 claws and remove the 2 bolts, 6 screws and bumper cover.

HINT:

Tape the screwdriver tip before use.

8. REMOVE FRONT SPOILER

- (a) Remove the 4 screws.
- (b) Using a screwdriver, disengage the 4 claws and remove the spoiler.

HINT:

Tape the screwdriver tip before use.

9. REMOVE FRONT BUMPER REINFORCEMENT

- (a) Remove the 4 nuts and reinforcement.

10. REMOVE RADIATOR GRILLE UPPER

- (a) Using a screwdriver, disengage the 13 claws and remove the grille upper.

HINT:

Tape the screwdriver tip before use.

11. REMOVE FOG LAMP COVER LH

- (a) Using a screwdriver, disengage the 4 claws and remove the cover.

HINT:

Tape the screwdriver tip before use.

12. REMOVE FOG LAMP COVER RH

- (a) Using a screwdriver, disengage the 4 claws and remove the cover.

HINT:

Tape the screwdriver tip before use.