

**Part Number: PT374-02090**

**Kit Contents**

Item #	Quantity Reqd.	Description
1	1	AD Mirror Assembly w/ PRNDL
2	1	Hardware bag

**Hardware Bag Contents**

Item #	Quantity Reqd.	Description
1	2	T-tap Connectors, Red 3M™
2	1	Wire Cover (short)
3	1	Wire Cover (long)
4	1	EC Wire Harness
5	9	Foam Tape
6	6	Wire Ties, small
7	1	Corrugated tubing
8	1	Operation Instruction Card

**Additional Items Required For Installation**

Item #	Quantity Reqd.	Description

**Conflicts**

Non-sunroof models
--------------------

**Recommended Tools**

<b>Personal &amp; Vehicle Protection</b>	<b>Notes</b>
Blankets, Towels	
<b>Special Tools</b>	<b>Notes</b>
None	
<b>Installation Tools</b>	<b>Notes</b>
Ratchet	
Socket	10 mm
Torx Head Driver	T20
Pliers	Needle Nose
Side cutters	
Nylon Panel Removal Tool	e.g. Panel Pry Tool #1 Toyota SST# 00002-06001-01
Dark Towel or Cloth	For Testing
Torque Wrench	36 lbf-in

<b>Special Chemicals</b>	<b>Notes</b>
Cleaner	VDC approved

**General Applicability**

All models with sunroof.
--------------------------

**Recommended Sequence of Application**






Item #	Accessory
1	EC Rearview Mirror
2	
3	
4	

\*Mandatory

**Vehicle Service Parts** (may be required for reassembly)

Item #	Quantity Reqd.	Description
1		

**Legend**

	<b>STOP:</b> Damage to the vehicle may occur. Do not proceed until process has been complied with.
	<b>OPERATOR SAFETY:</b> Use caution to avoid risk of injury.
	<b>CAUTION:</b> A process that must be carefully observed in order to reduce the risk of damage to the accessory/vehicle and to ensure a quality installation.
	<b>TOOLS &amp; EQUIPMENT:</b> Used in Figures calls out the specific tools and equipment recommended for this process.
	<b>REVISION MARK:</b> This mark highlights a change in installation with respect to previous issue.

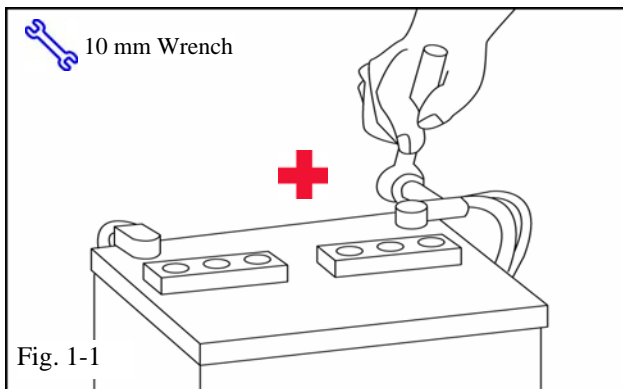
Care must be taken when installing this accessory to ensure damage does not occur to the vehicle. The installation of this accessory should follow approved guidelines to ensure a quality installation.

These guidelines can be found in the "Accessory Installation Practices" document.

This document covers such items as:

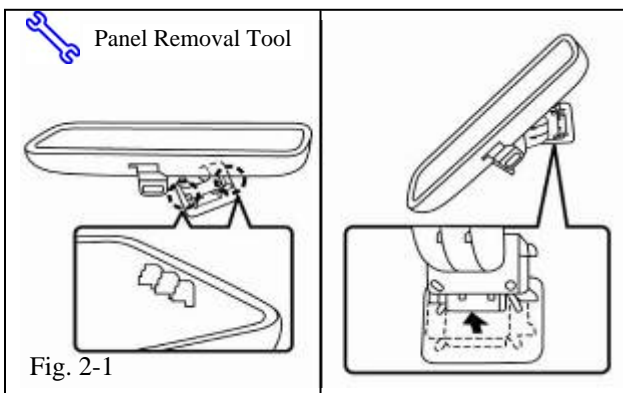
- Vehicle Protection (use of covers and blankets, cleaning chemicals, etc.).
- Safety (eye protection, rechecking torque procedure, etc.).
- Vehicle Disassembly/Reassembly (panel removal, part storage, etc.).
- Electrical Component Disassembly/Reassembly (battery disconnection, connector removal, etc.).

Please see your Scion dealer for a copy of this document.



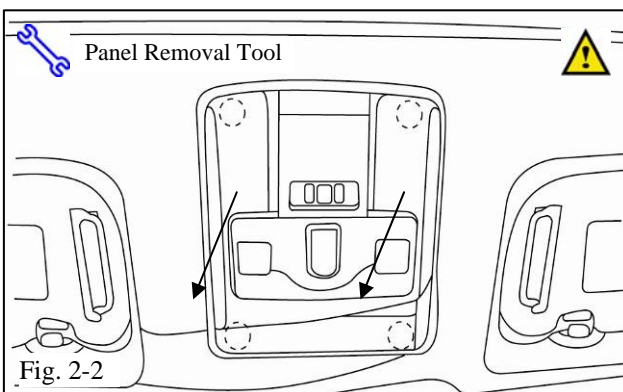
**1. Remove Battery Cable.**

- (a) Protect fender before starting.
- (b) Do not touch the positive terminal with any tool when removing cable.
- (c) Remove the negative battery cable. (Fig. 1-1)

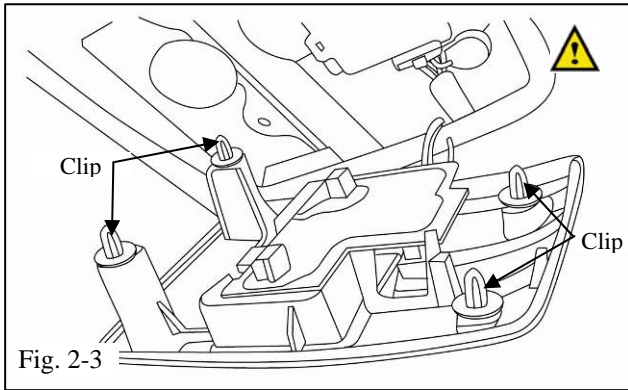


**2. Vehicle Disassembly.**

- (a) Remove the OE mirror.
  - (1) Disengage the two claws and remove the mirror cover from the mirror base. (Fig. 2-1)
  - (2) Pull the lever in the direction indicated by the arrow shown in the illustration and slide the inner rear view mirror assembly upward to remove it. (Fig. 2-1)



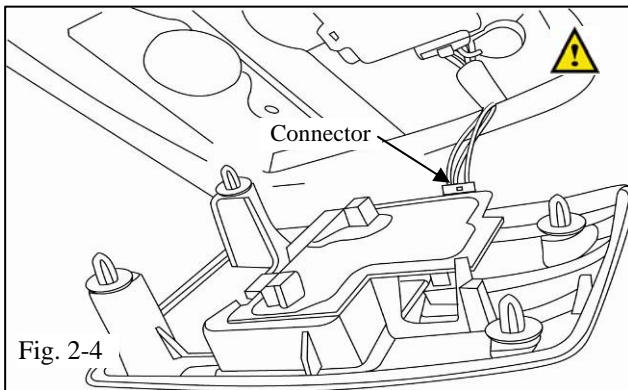
- (b) With a panel removal tool, carefully remove the overhead dome light assembly. (Fig. 2-2)
  - (1) Take care not to damage headliner.



(c) Pull downward to remove overhead console.

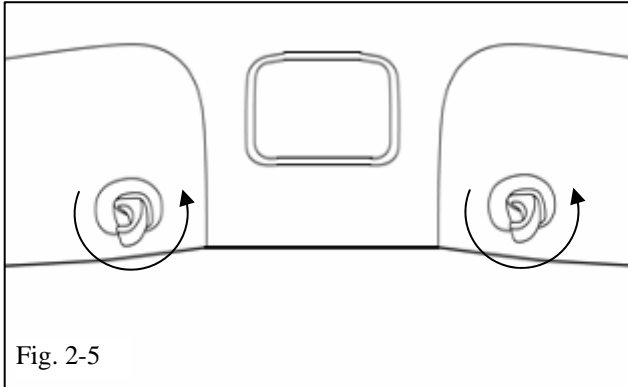


(1) Ensure removal of all (4) white plastic clips. (Fig. 2-3)

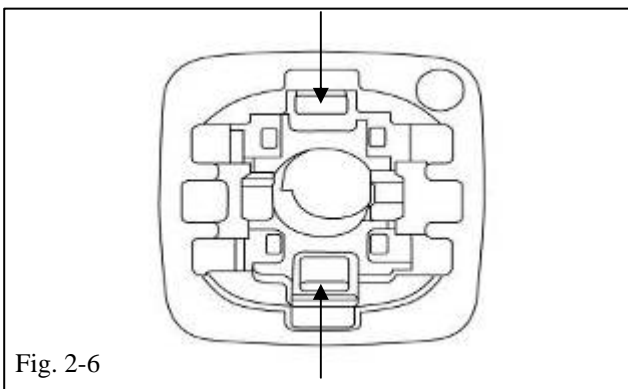


(d) Carefully pull down the dome light assembly to expose the light connector. (Fig. 2-4)

(1) Disconnect the 5-pin dome light connector.



(e) Remove both driver side and passenger side sun visor clips by rotating counter clockwise about 45°. (Fig. 2-5)



(f) Remove both driver side and passenger side visor clip bases by pressing in on the two inner tabs. (Fig. 2-6)

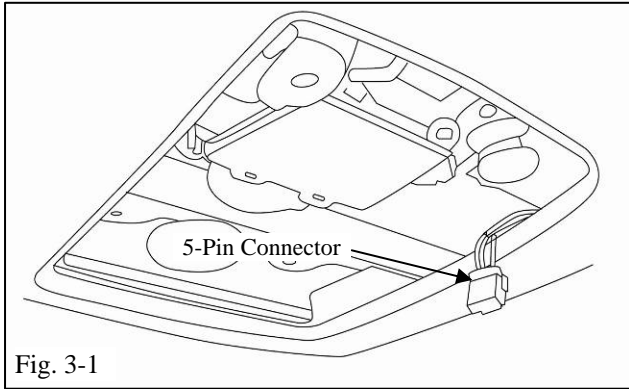


Fig. 3-1

**3. Install T-taps.**

- (a) Locate the disconnected 5 pin dome light connector. (Fig. 3-1)

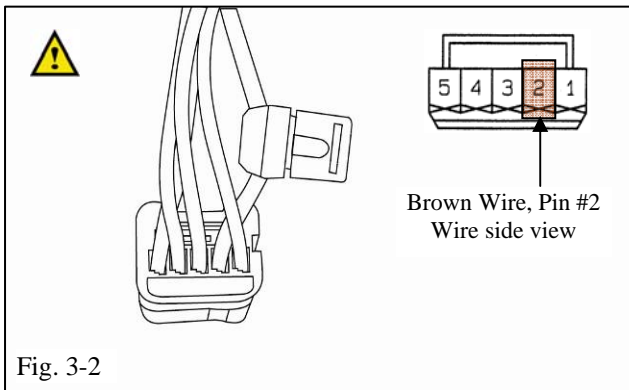


Fig. 3-2

- (b) Attach a T-tap to the BROWN wire (Pin #2) with needle nose pliers approximately 1 inch from the connector. (Fig 3-2)



- (1) Ensure both halves of T-tap connector are snapped together.

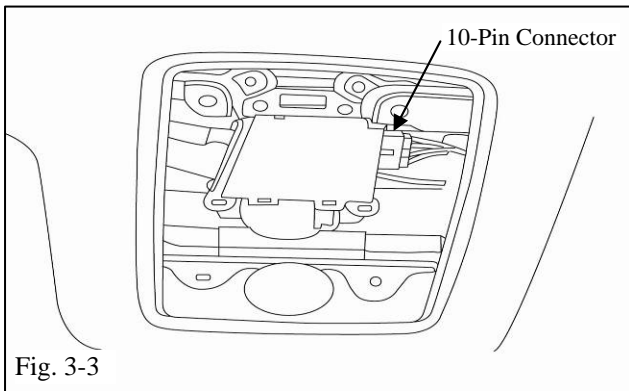


Fig. 3-3

- (c) Locate and disconnect the 10-pin white connector from the sunroof motor in the overhead console area. (Fig. 3-3)

- (d) Peel or cut back the wire cover to expose about 1 inch of wire from the connector end.

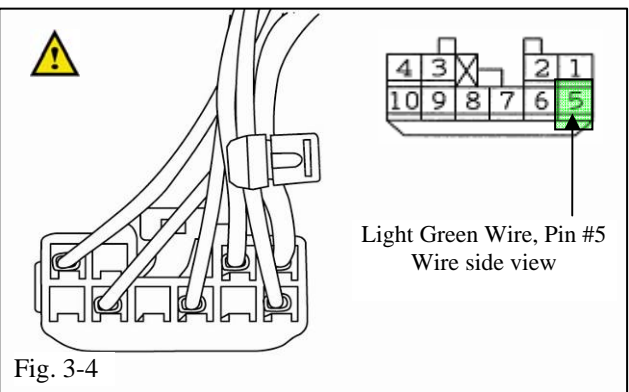
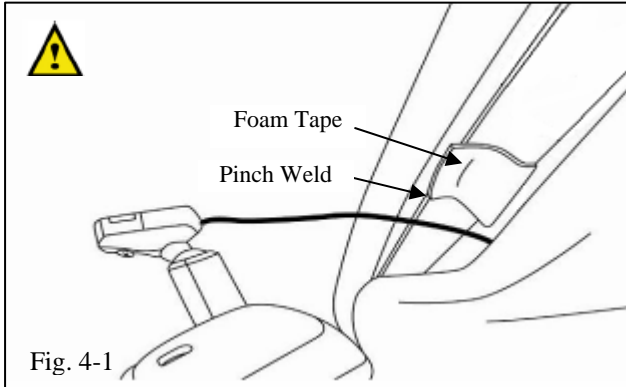


Fig. 3-4

- (e) Attach a T-tap to the LIGHT GREEN wire (Pin #5) with needle nose pliers approximately 1 inch from the connector. (Fig. 3-4)



- (1) Ensure both halves of T-tap connector are snapped together.

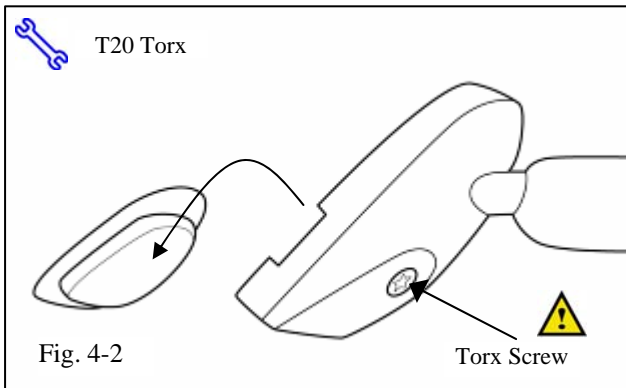


**4. Install EC Mirror.**

- (a) Apply one (1) piece of foam tape to the pinch weld between the windshield and the headliner above the center of the mirror. (Fig. 4-1)

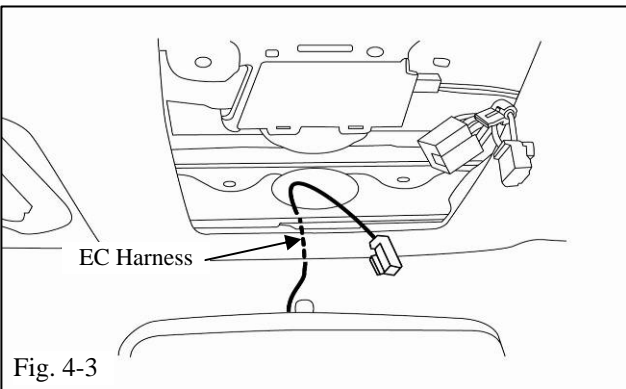


- (1) Do not use excessive force when pulling headliner, this may cause headliner to crease.

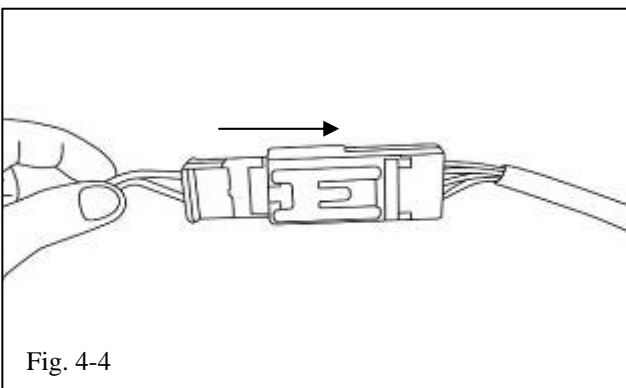


- (b) Slide the EC mirror onto the mounting button on windshield. (Fig. 4-2)

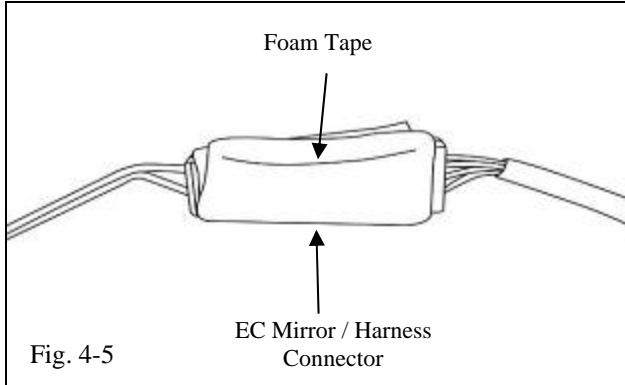
- (c) Tighten the screw in the mirror mounting bracket with torque wrench to 1.75 N-m (15.5 lbf-in).



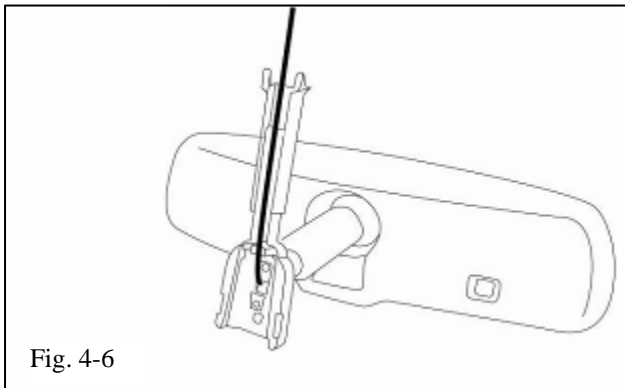
- (d) Route the harness through the headliner opening and into the overhead console area. (Fig. 4-3)



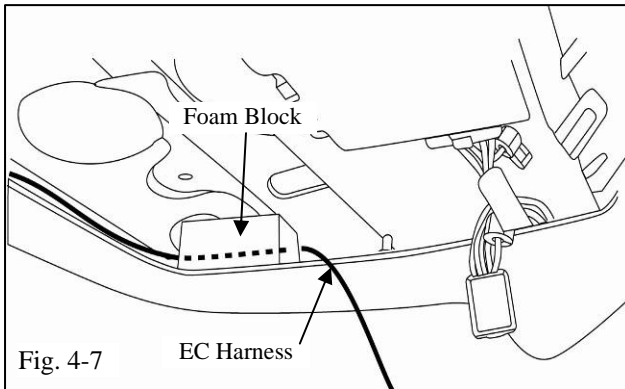
- (e) Plug EC wire harness 2-pin connector into the 2-pin mirror harness. (Fig. 4-4)



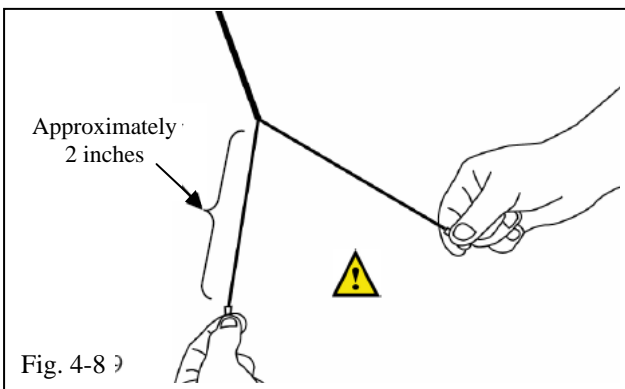
- (f) Wrap one (1) piece of foam tape around EC mirror connector and EC harness connector. (Fig. 4-5)




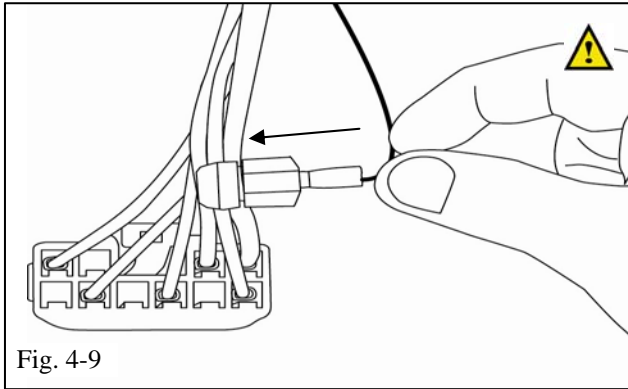
- (g) Install the SHORT wire harness cover over the wire harness. (Fig. 4-6)
  - (1) Seat the bottom cover to the mirror.
  - (2) Extend the top of the cover fully into headliner.



- (h) Route the harness around the foam block to the right side of the dome lamp opening. (Fig 4-7)



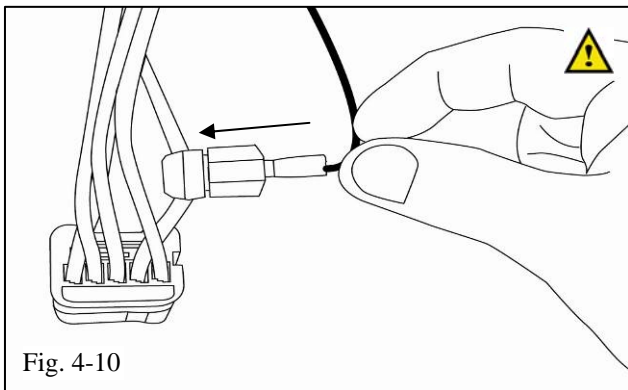
-  (i) Pull apart the ends of the EC mirror harness about 2 inches. (Fig. 4-8)



- (j) Plug the BLACK/RED wire spade end of the EC mirror harness into T-tap connector on the LIGHT GREEN wire from the 10 pin sunroof motor connector. (Fig. 4-9)



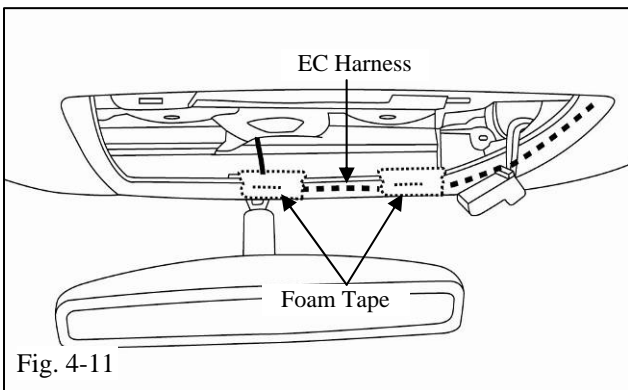
- (1) Ensure that the spade end is properly seated in the T-tap.
- (2) Reconnect the sunroof motor connector.



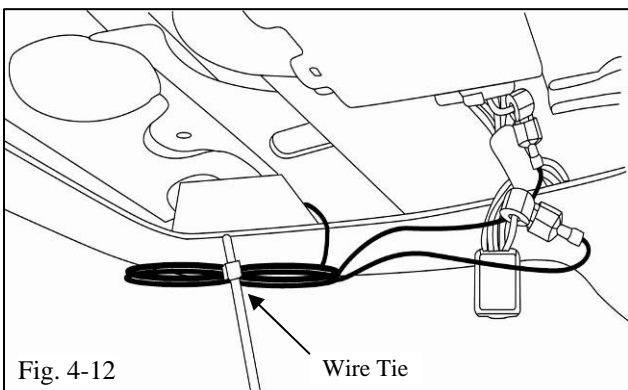
- (k) Plug the BLACK wire spade end of the EC mirror harness into T-tap connector on the BROWN wire from the 5 pin dome light connector. (Fig. 4-10)



- (1) Ensure that the spade end is properly seated in the T-tap.

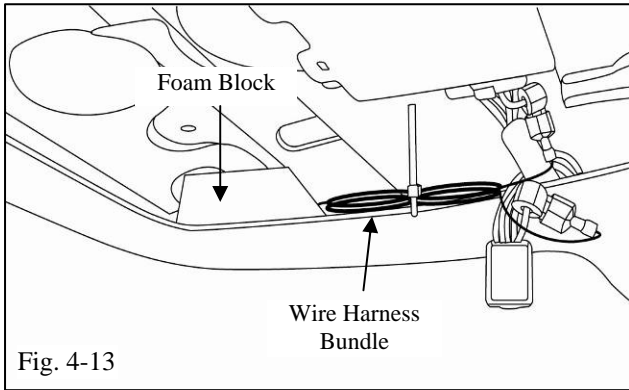


- (l) Secure the harness to the inside of the headliner with two (2) pieces of foam tape as shown. (Fig. 4-11)

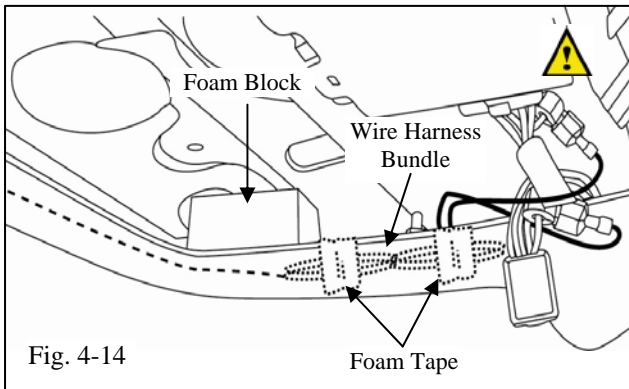


- (m) Bundle excess wire into a tight bundle and wrap with a wire tie. (Fig. 4-12)

- (1) Trim the wire tie.



- (n) Place bundle in an open area located to the right of the dome lamp opening. (Fig. 4-13)



- (o) Secure the bundle to the headliner using (2) pieces of foam tape. (Fig. 4-14)



- (1) Make sure that any part of the harness or bundle does not obstruct any clip holes or mounting areas.

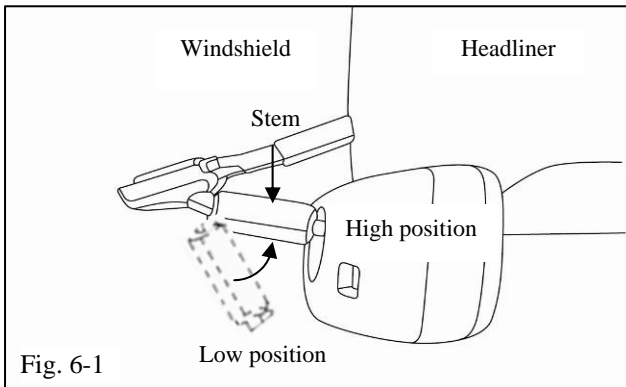
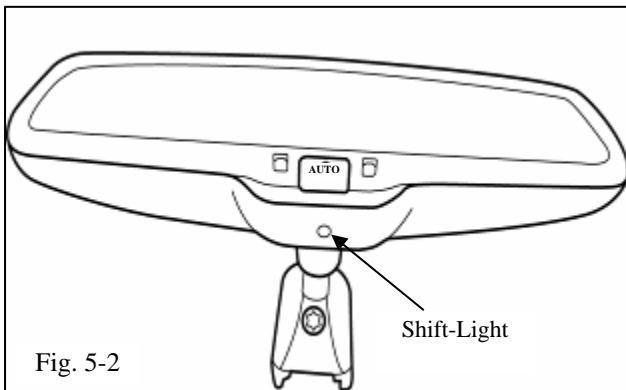
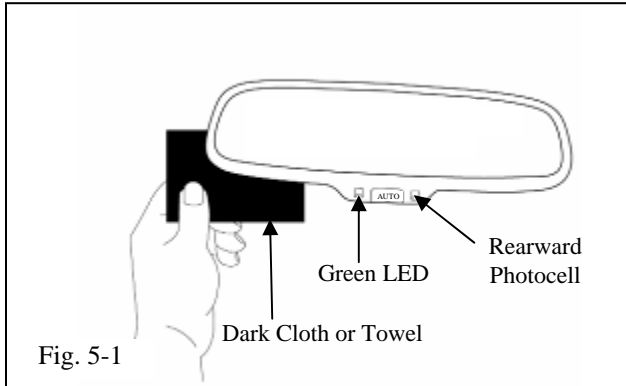


- (2) Make sure the harness bundle is properly secured by the tape to the headliner.

## 5. Testing

- (a) If not installed, install the short pin located in the engine compartment fuse box.
- (b) Temporarily reconnect the vehicle's negative battery cable.
- (c) Turn ignition switch to ON.
- (d) With the vehicle in a fairly well lit area, perform the following test:
- (e) Auto Dimming Feature:
  - (1) To make sure the auto-dimming feature is on, verify that the LED indicator light is on. If it is not on, push the "On/Off" button for 3 seconds, or until the LED is illuminated.





- (2) Cover the forward-looking light sensor located on the back of the mirror with a dark cloth or towel. (Fig. 5-1)
- (3) In a few seconds, the mirror will begin to darken (time may vary with ambient light levels).
- (4) Remove the cover from the forward-looking light sensor and the mirror will begin to clear.

(f) Shift-light Feature:

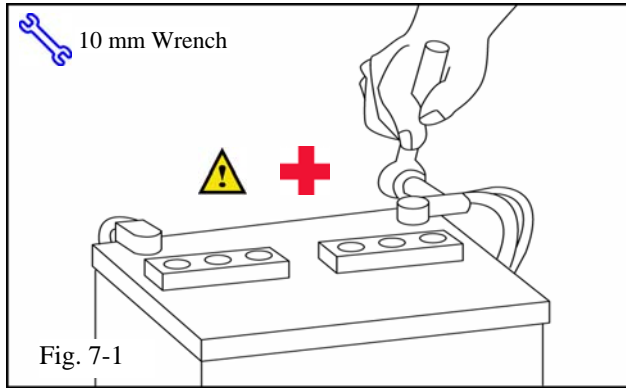
- (1) With ignition ON, cover forward-looking light sensor on back of the mirror. Low-level ambient lighting should be visible from the bottom of the mirror. (Fig. 5-2)
- (2) Turn ignition OFF.

(g) Disconnect the negative battery terminal.

**6. Final Assembly.**

- (a) Reinstall the visor clips.
- (b) Reinstall the overhead console.
  - (1) Reconnect any disconnected connectors.
  - (2) Ensure components are securely fastened and do not interfere with existing OE or EC harnesses.
- (c) Place the operation instruction card in the vehicle glove box.
- (d) Adjust the stem of the mirror so that the mirror is at its highest position. (Fig. 6-1)
- (e) Remove fingerprints, smudges, dirt, etc. from mirror and windshield with a VDC approved cleaner.





- (f) Verify each reinstalled component for proper fit and function.

### 7. Reconnect Negative Battery Cable.

- (a) Reconnect the vehicle's negative battery cable. (Fig. 7-1)



- (1) Tighten the nut to 4.1 N-m (36 lbf-in).



- (2) Do not touch the positive terminal with any tool when replacing the cable.

Checklist - these points **MUST** be checked to ensure a quality installation.

Check:

Look For:

Accessory Function Checks

**Vehicle should be in a fairly well lit area.**

Turn ignition (ACC power) to ON.

**Auto-dimming feature:**

- Cover the forward-looking light sensor (located below the wire harness connection on the back of the mirror).

**Mirror clears:**

- Remove cover from photocell.

**Shift-light Feature:**

- Turn ignition ON, cover forward-looking light sensor and observe shift-light.

- Operation Instruction Card

Verify green LED is on. If it is not ON press On / Off button - confirm LED is ON.

Verify mirror darkens.

Mirror returns to clear state.

Light is visible from bottom of mirror.

Placed in the vehicle glove box.

Vehicle Function Checks

- Check dome light.
- Check sunroof if equipped.

Verify dome light functions properly.

Verify sunroof functions properly.